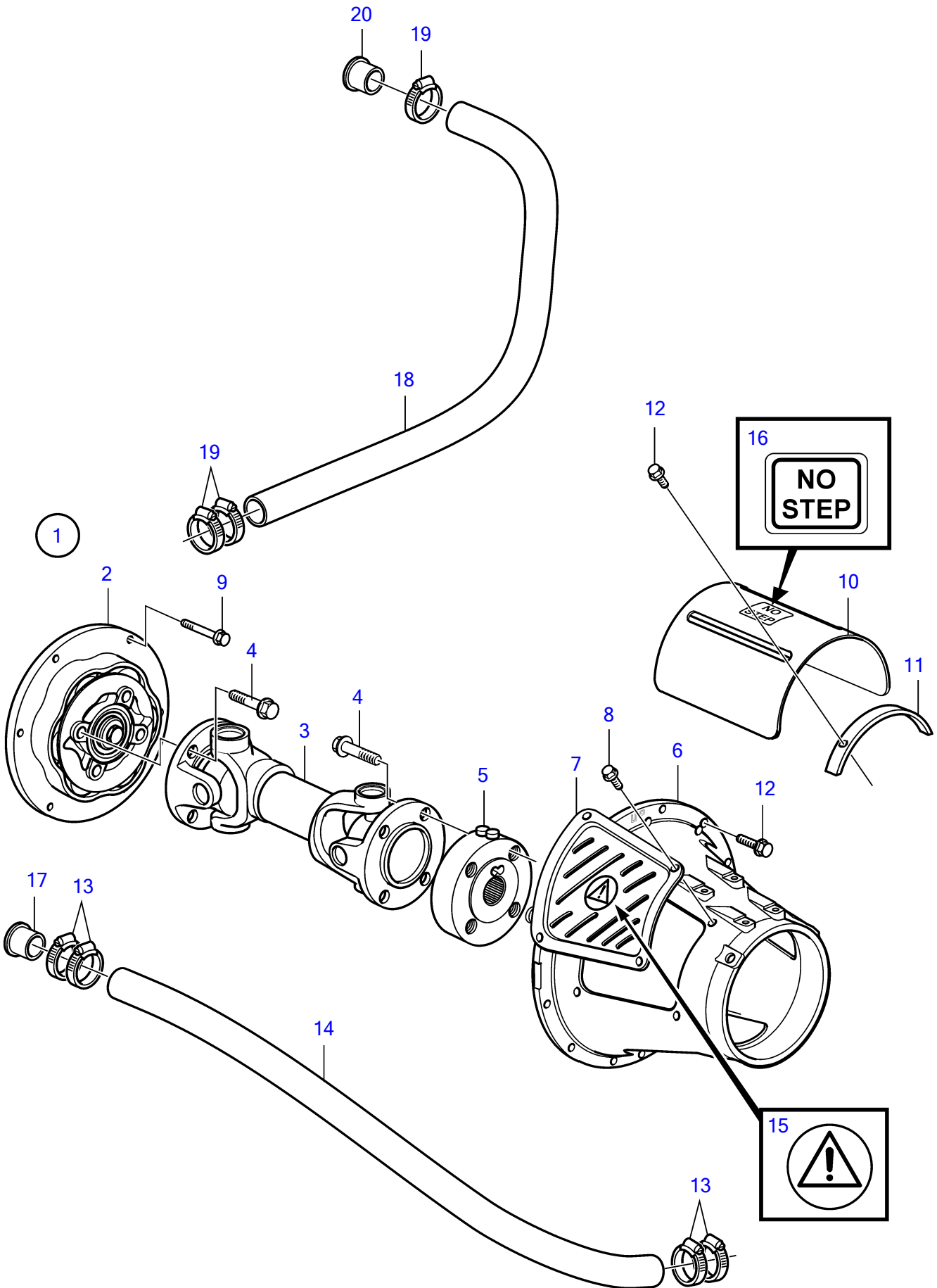


D4-260D-B, D4-260D-C, D4-260D-D, D4-300D-A, D4-300D-C, D4-260D-E, D4-300D-E, D4-300D-D



D4-260D-B, D4-260D-C, D4-260D-D, D4-300D-A, D4-300D-C, D4-260D-E, D4-300D-E, D4-300D-D

| REF | PART NO. | QTY | DESCRIPTION | NOTES |
|-----|----------|-----|-------------------|--|
| 1 | 21111686 | 1 | Flexible coupling | Replaced by 21393521 |
| | 21393521 | 1 | Flexible coupling | |
| 2 | 21509615 | 1 | • Roller kit | Kit includes 6 pcs rubber rollers |
| 3 | 3861048 | 1 | Propeller shaft | L=335mm |
| 4 | 465826 | 8 | Flange screw | |
| 5 | 3862153 | 1 | Flange | |
| 6 | 3861047 | 1 | Protecting casing | Replaced by 21657788 |
| | 21657788 | 1 | Protecting casing | |
| 7 | 3862871 | 2 | Protecting screen | |
| 8 | 968476 | 8 | Flange screw | L=13mm |
| 9 | 965186 | 8 | Flange screw | L=50mm |
| 10 | 3862515 | 1 | Protecting plate | |
| 11 | 3862869 | 1 | Tensioning ring | |
| 12 | 946752 | 12 | Flange screw | L=35mm |
| 13 | 961672 | 4 | Hose clamp | Std/Riser (3584038) |
| 14 | 3819570 | 1 | Hose | Replaced by 1140670 |
| | 1140670 | X | Exhaust hose | |
| 15 | 3817024 | 2 | Decal | |
| 16 | 841144 | 1 | Decal | |
| 17 | 3883983 | 1 | Sleeve | Ratio 2.08:1 |
| 18 | 3819572 | 1 | Hose | Ratio 1.94:1, Ratio 1.82:1, Std/Riser, Replaced by 1140670 |
| | 1140670 | 1 | Exhaust hose | L=780mm |
| 19 | 961672 | 3 | Hose clamp | Ratio 1.94:1, Ratio 1.82:1 |
| 20 | 3819914 | 1 | Sleeve | Ratio 1.94:1, Ratio 1.82:1 |